

SUNRIDGE

PLCC-T SERIES

PLCC SOCKET (THROUGH HOLE MOUNT)

PRODUCT FEATURES:

- . Accept JEDEC Type A PLCC square or rectangular (32P) package
- . Contact designed for easy insertion and positive engagement. Housing feature with Pin #1 identifier, polarization for IC insertion and standoff of solder cleaning.
- . Mounting with standard .035" (.89MM) dia hole on .100" (2.54MM) grid layout

MATERIAL:

Contact Material: Phosphor bronze, Tin Plated
Insulator Material: Standard: PPS, UL 94V-0
Optional: PBT, UL 94V-0

PERFORMANCE CHARACTERISTICS:

Durability: Per MIL-STD-1344, 100 cycles
Vibration: Per MIL-STD-810C, 10-20,000 HZ, 5 Gs
Shock: Per MIL-STD-810C, 35 Gs

Contact Interface Resistance:

Initial: 6.5 milliohms average

Final: 15.0 milliohms maximum after testing

Insulation Resistance: Greater than 1×10 megohms

Dielectrical Strength: 1000 VAC for 1 minute

Capacitance: Less than 1.0 pF at 1,000 Hz

Inductance:

Self: 5.0 nH, maximum at 500 KHz

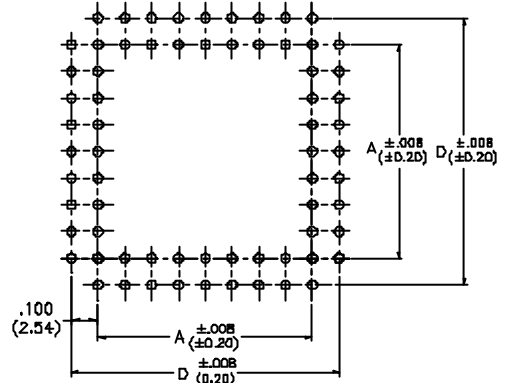
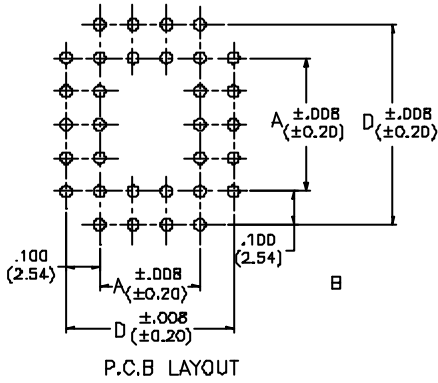
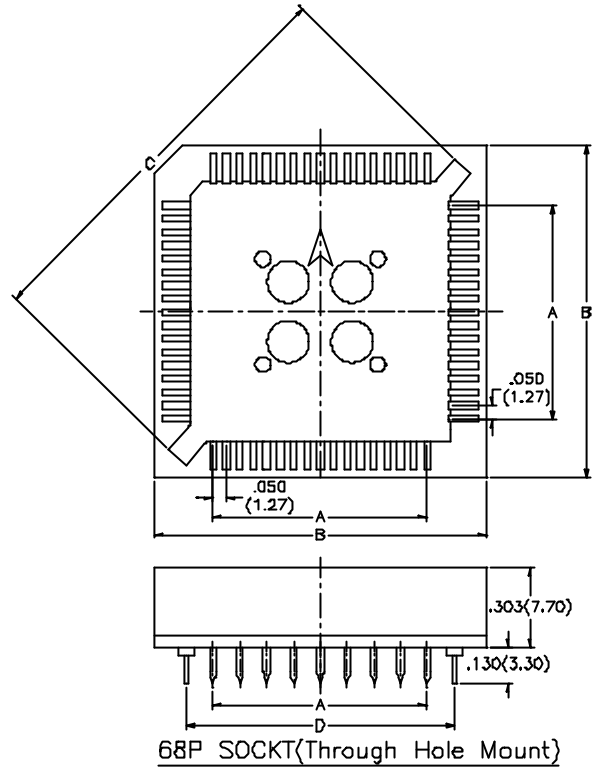
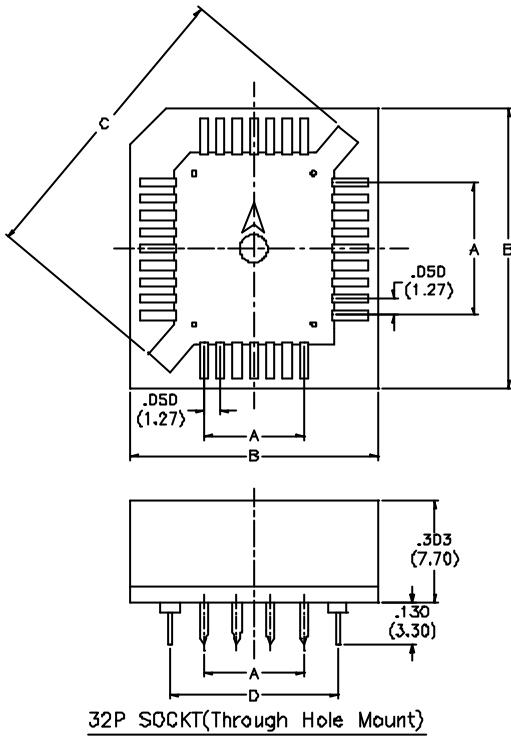
Mutual: 1.0 nH, maximum at 500 KHz

Thermal Shock: Per MIL-STD-1344, condition A, cycled from -55 to $+85$, no discontinuity or physical damage

Temperature/Humidity: Per MIL-STD-1344, 85C/85% relative humidity

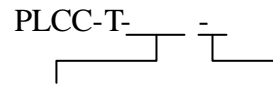
Operating Temperature: -50 to $+105$

SUNRIDGE



P.C.B LAYOUT

P/N DESIGNATION



NO OF CONTACT INSULATOR MATL
BLANK: PPS RESIN
1 : PBT RESIN

NO. OF CONTRAC	PART NO	A	B	C	D
20	PLCC-T-20	.200 (5.08)	.613 (15.56)	.724 (18.40)	.400 (10.15)
28	PLCC-T-28	.300 (7.62)	.720 (18.30)	.819 (20.80)	.500 (12.70)
32	PLCC-T-32	AS SHOW			
44	PLCC-T-44	.500 (12.70)	.925 (23.50)	1.110 (28.20)	.700 (17.78)
52	PLCC-T-52	.600 (15.24)	1.024 (26.00)	1.236 (31.40)	.800 (20.32)
68	PLCC-T-68	.800 (20.32)	1.220 (31.00)	1.539 (39.10)	1.000 (25.40)
84	PLCC-T-84	1.000 (25.40)	1.417 (36.00)	1.791 (45.50)	1.200 (30.48)
100	PLCC-T-100	1.200 (30.48)	1.613 (40.96)	2.134 (54.20)	1.396 (35.45)

DIMENSION FOR 32 PIN SOCKET

PART NO		A	B	C	D
PLCC-T-32	LENGTH	.400 (10.16)	.838 (21.28)	.890 (22.61)	.600 (15.24)
	WIDTH	.300 (7.62)	.738 (18.74)		.500 (12.70)