

SUNRIDGE

D-SUBMINIATURE CONNECTOR, BOARD MOUNT

PRODUCT FEATURES:

- Broad range of product variety in vertical mount, right angle mount (with both .318" and .590" footprint), high density, dual port configurations.
- Pin contact is mass produced by precision stamping process with dimensional accuracy and properly tempered resilience features for reliable electrical connection.
- Board lock attachment is designed for easy insertion and retentive mounting onto PCB prior to soldering
- All metal components and mounting hardwares are rigidly assembled and structured as a solid one-piece conductor.

MATERIAL:

Housing: GF PBT, UL rated

Metal Shell: Steel, tin plated

Contact: Pin (male contact)-Copper Alloy

Socket (female contact) - Phosphor Bronze

Both underplated with Nickel, tin plated in solder end, With various options of gold plating thickness on the contact end.

PERFORMANCE CHARACTERISTIC:

Contact Current Rating: 5 Amper

Voltage Rating: 300 V DC

Contact Resistance: 10 miliohm max

Insulation resistance: 1000 Megohm min at 500 V DC

Dielectric Withstanding Voltage: 1000 V

Operating Temperature: -55 +105

CATEGORY OUTLINE:

45XX0- SERIES: VERTICAL MOUNT, RECEPTACLE

45XX1- SERIES: VERTICAL MOUNT, PLUG

46XX0- SERIES: RIGHT ANGLE MOUNT, .318" FOOT PRINT, RECEPTACLE

46XX1- SERIES: RIGHT ANGLE MOUNT, .318" FOOT PRINT, PLUG

46XX0L- SERIES: RIGHT ANGLE MOUNT, .590" FOOT PRINT, STANDARD HOUSING, RECEPTACLE

46XX0LM- SERIES: RIGHT ANGLE MOUNT, .590" FOOT PRINT, RECESSED HOUSING, RECEPTACLE

46XX1L- SERIES: RIGHT ANGLE MOUNT, .590" FOOT PRINT, STANDARD HOUSING, PLUG

46XX1LM- SERIES: RIGHT ANGLE MOUNT, .590" FOOT PRINT, RECESSED HOUSING, PLUG

36XX0- SERIES: RIGHT ANGLE MOUNT, HIGH DENSITY (.350" FOOT PRINT), RECEPTACLE

16XX0- SERIES: VERTICAL MOUNT, HIGH DENSITY, RECIPTACLE

16XX1- SERIES: VERTICAL MOUNT, HIGH DENSITY, PLUG

37- SERIES: DUAL PORT, RIGHT ANGLE MOUNT IN VARIOUS CONFIGURATIONS

SUNRIDGE

TYPICAL P/N DESIGNATION

46XXX- _ _ - _ _
 1 2 3 4 5 6 7 8

1: SERIES NUMBER
 2: NO. OF CONTACTS

3: CONTACT TYPE
 0: RECEPTACLE (FEMALE)
 1: PLUG (MALE)

4: INSULATOR MATERIAL
 0: GF PBT, UL 94-0 RATED
 1: GF PBT, UL 94-0 RATED
 (FOR HIGH TEMP APPLICATION)

5: COLOR OF INSULATOR
 4: BLACK
 6: BLUE

6: PLATING:
 0: GOLD FLASH
 2: 10 u GOLD
 3: 15 u GOLD

6: 30 u GOLD
 *7: HARDWARE ATTACHMENT
 8: BLANK: STAND CONFIGURATION AS SHOWN
 01-99: RESERVED FOR SPECIAL CUSTOM CONFIGURATION

*** : DETAIL DESCRIPTION OF HARDWARE ATTACHMENT OPTIONS (REF TO ILLUSTRATIONS)**

BLANK (STANDARD ATTACHMENT): WITH THREAD INSERT AT CONNECTOR SHELL FLANGE SURFACE WITH BOARD LOCK PCB MOUNTING SIDE

B: WITH THREAD INSERT AT CONNECTOR SHELL FLANGE SURFACE WITH Ø.126" HOLE AT PCB MOUNTING SIDE

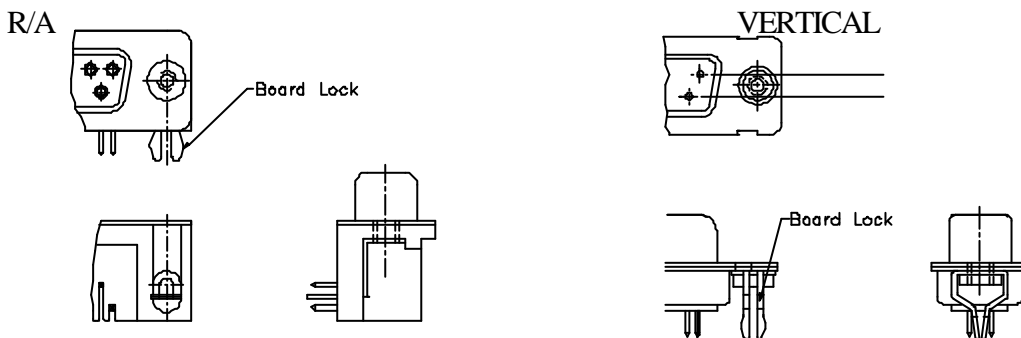
C: SAME AS STANDARD ATTACHMENT, WITH JACK SCREW(FEMALE SCREW LOCK) PREASSEMBLED

D: SAME AS STANDARD ATTACHMENT, WITH JACK SCREW(FEMALE SCREW LOCK) SEPARATELY PACKAGED

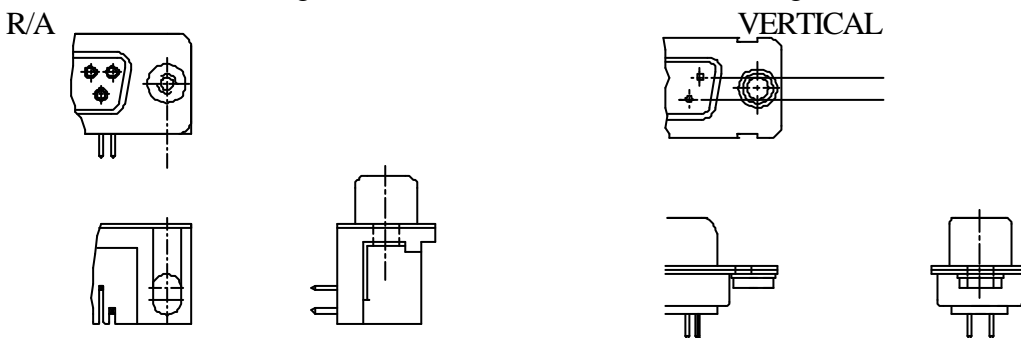
E: WITH Ø.126" MOUNTING HOLE AT CONNECTOR SHELL FLANGE SURFACE AND Ø.126" HOLE OR SLOT AT PCB MOUNTING SIDE

***HARDWARE ATTACHMENT ILLUSTRATIONS:**

(1.) Blank (standard Attachment)-w/thread insert at shell flange surface ,w/board lock

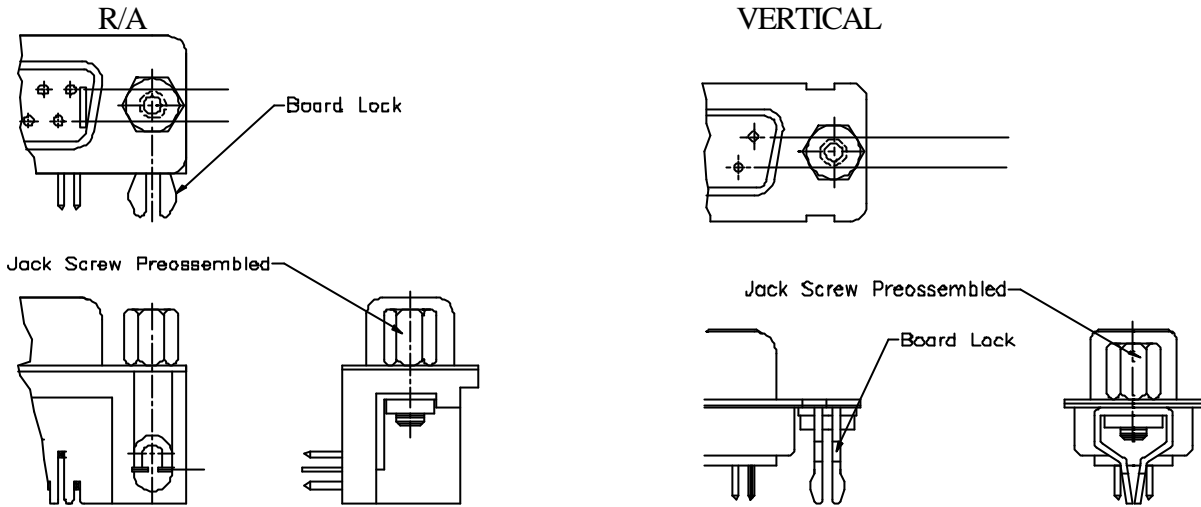


(2)B-w/ Ø.126"hole on shell flange, w/ Ø.126" hole or slot at PCB mounting surface

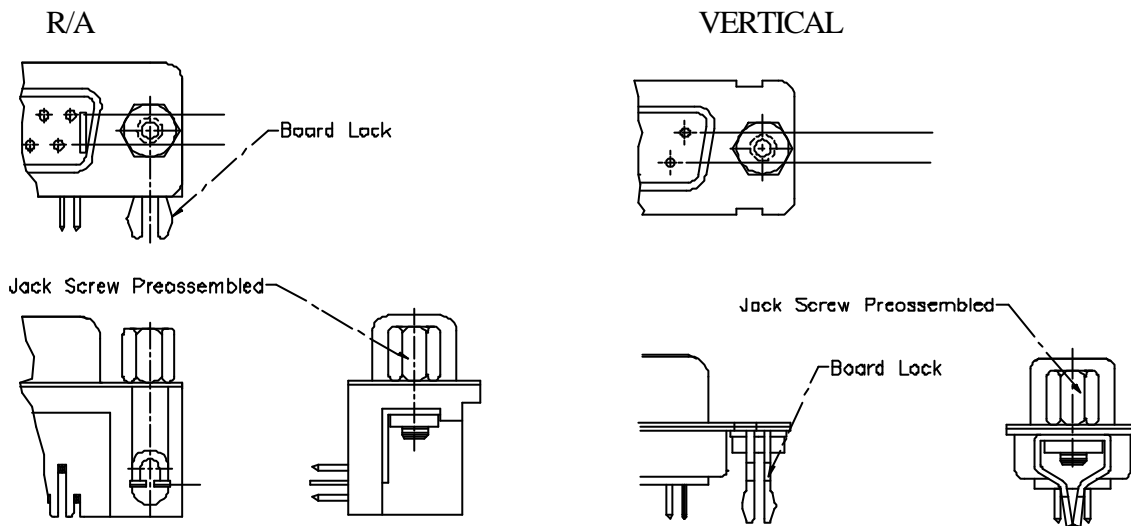


SUNRIDGE

(3.) C-w/thread insert, w/board lock, jack screws preassembled



(4.) D-w/thread insert, w/board lock, jack screws separately packaged



(5.) E-w/thread insert at shell flange, with $\phi 126''$ hole or slot at PCB mounting surface

