

SUNRIDGE

56011 SERIES

8.00MM (.315") CENTERLINE DISCONNECTABLE, POLARIZED, CRIMP CONNECTOR

PRODUCT FEATURES:

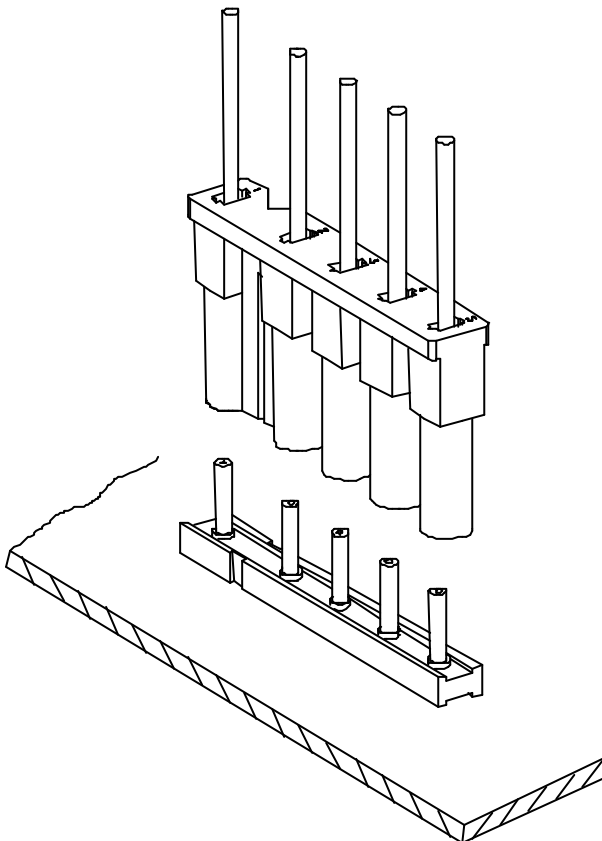
- 8.00 MM (.315") centerline, available in sizes of 1 of 6 circuits.
- Press fitted post and header housing design effectively avert the entrapment of flux during soldering process. after solder cleaning.
- Triangular barrel configuration of crimp terminal mates onto .093" (2.36 MM) dia post with reliable triple point contact.
- .093" (2.36 MM) dia post with wide .315" (8.00 MM) centerline design for standard application of power supply circuitry connection in consumer electronics.
- Elongated pitch between pos 1 and 2 guides polarized insertion of housing onto header.

MATERIAL:

Insulators: Nylon 6/6, UL 94-V0 rated
Pin and Contact: Copper alloy, tin plated

PERFORMANCE CHARACTERISTICS:

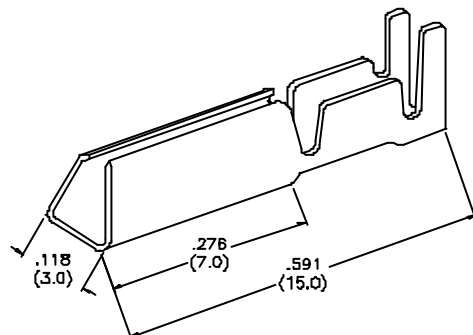
Current Rating: 5 Amper
Voltage Rating: 250 V AC
Insulation resistance: 1000 Megohm min
Contact Resistance: 10 miliohm max
Withstanding Voltage: 1500 V AC/minute
Applicable PCB Thickness: .063" (1.60MM)
Applicable Wire: AWG #24 to #20
Operating Temperature: -25 to +85



CRIMP CONTACT TERMINAL

P/N: 56011-T

QUANTITY PER REEL: 10,000

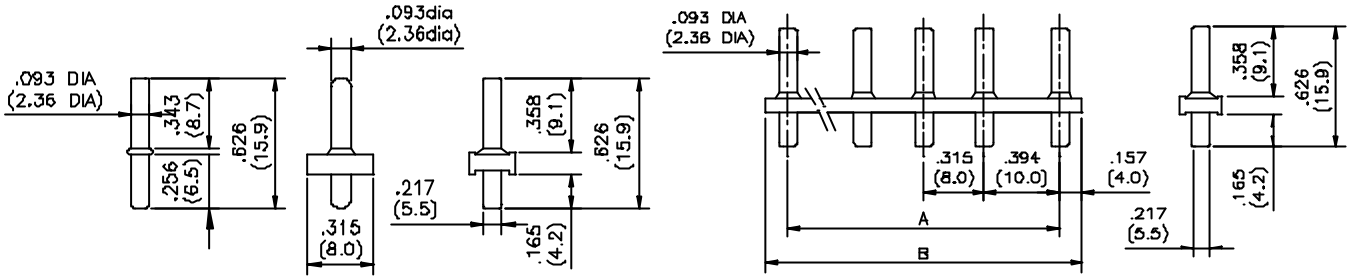


SUNRIDGE

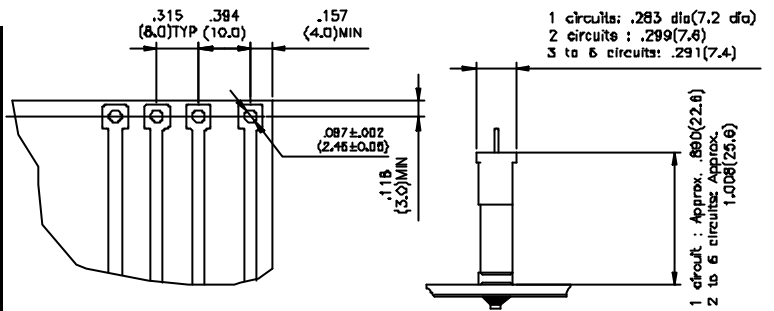
PIN HEADER (P/N 56011-0)

1 circuit

2 to 6 circuits



NO OF POSITION	P/N	DIMENSION IN (MM)	
		A	B
1	56011-001	N/A	.315(8.00)
2	56011-002	.394(10.00)	.709(18.00)
3	56011-003	.709(18.00)	1.024(26.00)
4	56011-004	1.024(26.00)	1.339(34.00)
5	56011-005	1.339(34.00)	1.654(42.00)
6	56011-006	1.654(42.00)	1.969(50.00)



RECOMMENDED PCB LAYOUT

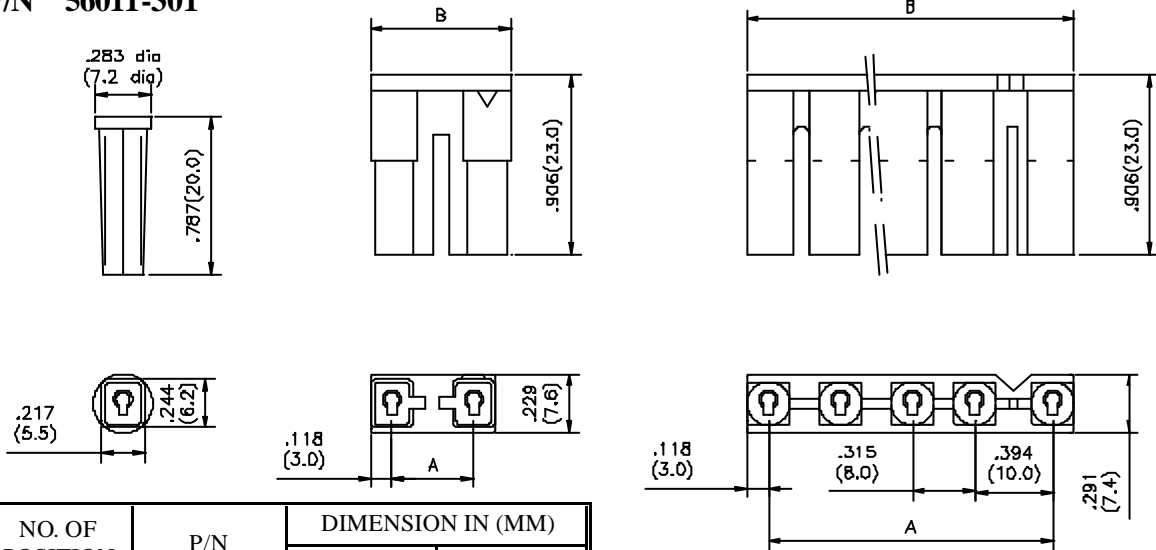
HOUSING (P/N 56011-3)

1 circuit

2 circuits

3 to 6 circuits

P/N 56011-301



NO. OF POSITION	P/N	DIMENSION IN (MM)	
		A	B
1	56011-301	NOT APPLICABLE	
2	56011-302	.394(10.00)	.630(16.00)
3	56011-303	.709(18.00)	.945(24.00)
4	56011-304	1.024(26.00)	1.260(32.00)
5	56011-305	1.339(34.00)	1.575(40.00)
6	56011-306	1.654(42.00)	1.890(48.00)