

SUNRIDGE

56010 SERIES

5.00MM (.197") CENTERLINE DISCONNECTABLE, POLARIZED, CRIMP CONNECTOR

PRODUCT FEATURES:

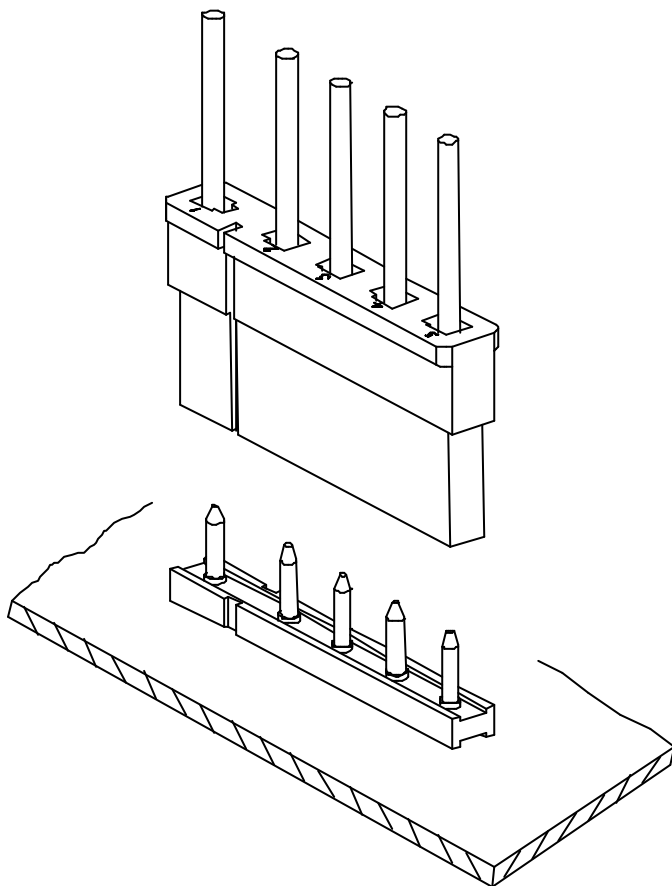
- 5.00MM (.197") centerline, available in sizes of 2 or 6 circuits.
- Header housing standoff after solder cleaning.
- Dual wiping crimp ensures reliable connection.
- Elongated pitch between pos 1 and 2 guides polarized insertion of housing onto header.

MATERIAL:

Insulators: Nylon 6/6, UL 94-V0 rated
Pin and Contact: Copper alloy, tin plated

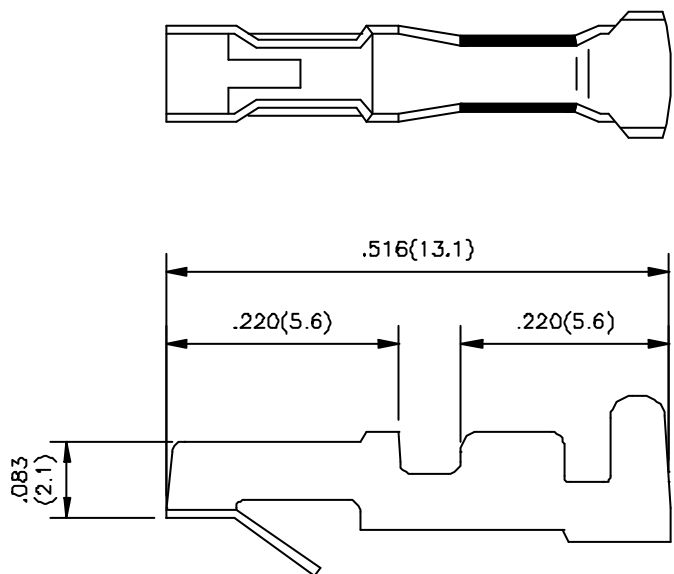
PERFORMANCE CHARACTERISTICS:

Current Rating: 5 Amper
Voltage Rating: 250 V AC
Insulation resistance: 1000 Megohm min
Contact Resistance: 10 miliohm max
Withstanding Voltage: 1500 V AC/minute
Applicable PCB Thickness: .063" (1.60MM)
Applicable Wire: AWG #26 to #20
Operating Temperature: -25 to +85



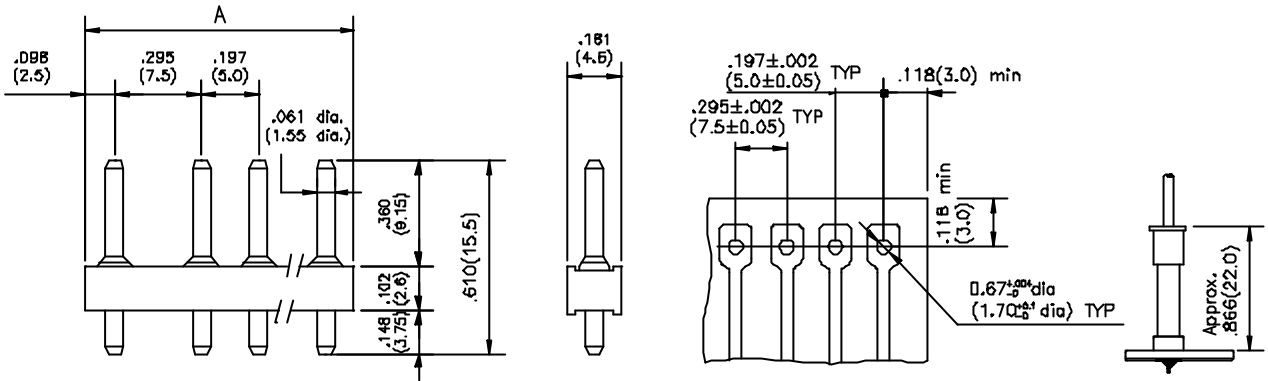
CRIMP CONTACT TERMINAL

P/N: 56010-T
QUANTITY PER REEL: 15,000



SUNRI DGE

PIN HEADER (56010-0)

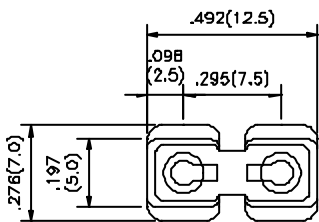
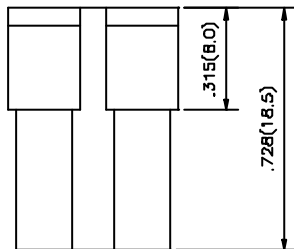


NO. OF POSITION	P/N	DIMENSION IN (MM)	
		A	
2	56010-002	.516(13.10)	
3	56010-003	.709(18.00)	
4	56010-004	.906(23.00)	
5	56010-005	1.102(28.00)	
6	56010-006	1.283(32.00)	

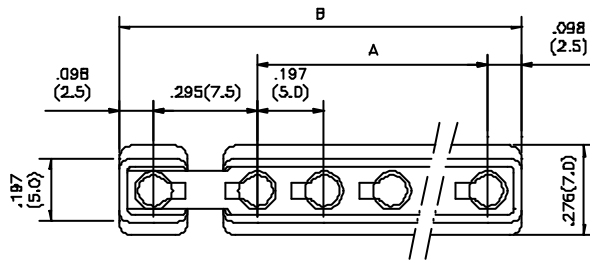
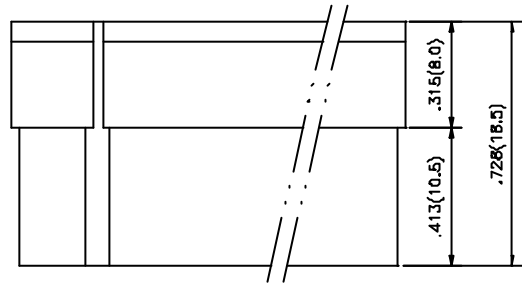
RECOMMENDED PCB LAYOUT

HOUSING (56010-3)

(2 circuits)



(3 to 6 circuits)



NO. OF POSITION	P/N	DIMENSION IN (MM)	
		A	B
2	56010-302	N/A	.492(12.50)
3	56010-303	.197(5.00)	.689(17.50)
4	56010-304	.394(10.00)	.886(22.50)
5	56010-305	.591(15.00)	1.083(27.50)
6	56010-306	.787(20.00)	1.280(32.50)