

SUNRIDGE

56009 SERIES

.156" (3.96MM) CENTERLINE DISCONNECTABLE CRIMP CONNECTOR

PRODUCT FEATURES:

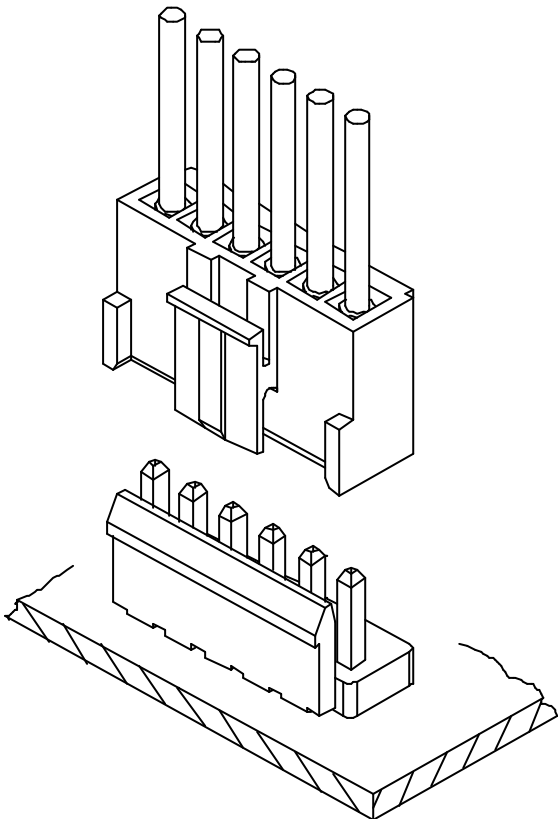
- .156" (3.96 MM) centerline, full size range of 2 to 10 circuits in both vertical (top entry) and right angle (side entry) for application of crimped wire to board connection.
- Rigidly constructed for high current carrying capacity.
- Header post of .045" (1.14 MM) square mounts onto to .067" (1.68 MM) dia X .156" (3.94 MM) pitch PCB layout, and firmly connects with crimp contact.
- Compactly designed for low after-mating height: for vertical mount, .650" (16.50MM); for R/A mount, .413" (10.50 MM).
- Interlock mechanism aligns polarized insertion of housing onto header, and ensures sturdy mating connection in field application.

MATERIAL:

- Insulators: Nylon 6/6, UL 94-V0 rated
- Pin and Contact: Copper alloy, tin plated

PERFORMANCE CHARACTERISTICS:

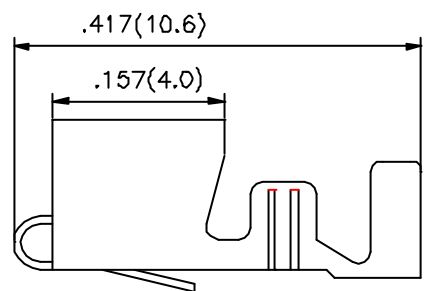
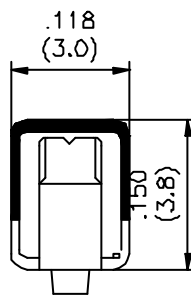
- Current Rating: 7 Amper
- Voltage Rating: 250 V AC
- Insulation resistance: 1000 Megohm min
- Contact Resistance: 10 miliohm max
- Withstanding Voltage: 1500 V AC/minute
- Applicable PCB Thickness: .063" (1.60MM)
- Applicable Wire: AWG #22 to #18
- Operating Temperature: -25 to +85



CRIMP CONTACT TERMINAL

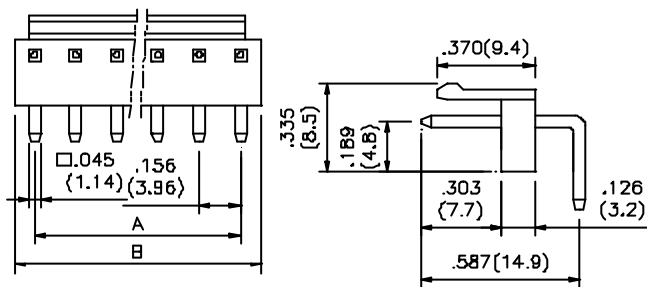
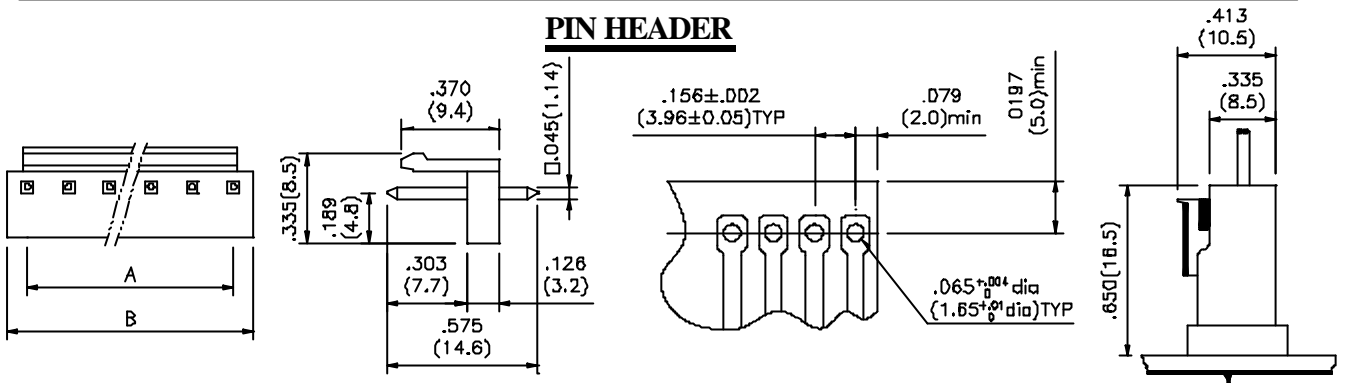
P/N: 56009-T

QUANTITY PER REEL: 5,000



SUNRI DGE

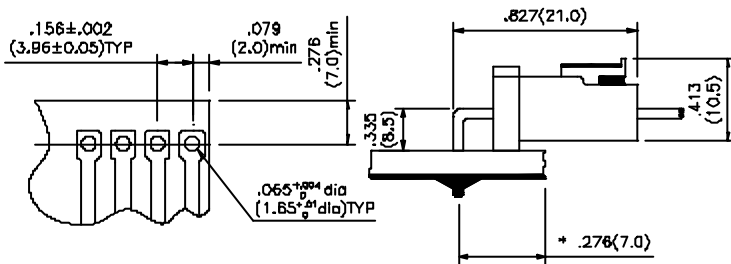
PIN HEADER



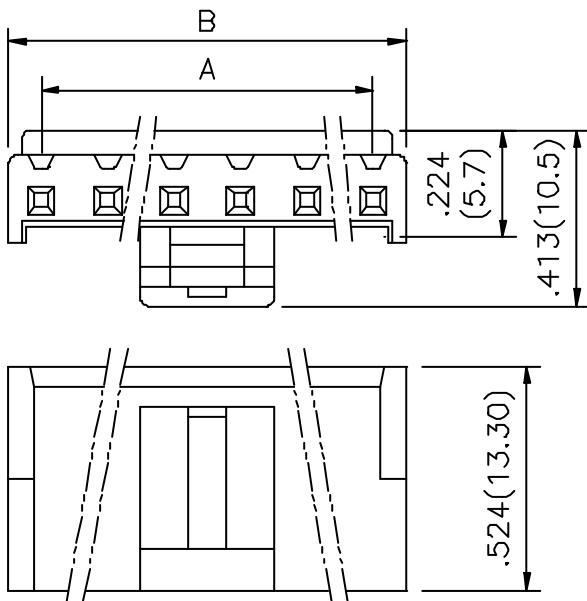
P/N DESIGNATION

56009 -

- NO. OF CONTACT
- 0: VERTICAL
- 1: RIGHT ANGLE



RECOMMENDED PCB LAYOUT



NO. OF CONTACT	P/N		DIMENSION IN (MM)	
	VERTICAL	R/A	A	B
2	56009-002	56009-102	.156(3.96)	.309(7.86)
3	56009-003	56009-103	.312(7.92)	.465(11.82)
4	56009-004	56008-104	.468(11.88)	.621(15.78)
5	56009-005	56009-105	.624(15.84)	.777(19.74)
6	56009-006	56009-106	.780(19.80)	.933(23.70)
7	56009-007	56009-107	.935(23.76)	1.089(27.66)
8	56009-008	56009-108	1.091(27.72)	1.245(31.62)
9	56009-009	56009-109	1.247(31.68)	1.401(35.58)
10	56009-010	56009-110	1.403(35.64)	1.557(39.54)

HOUSING (P/N 56009-3)

NO. OF CONTACT	P/N	DIMENSION IN (MM)	
	VERTICAL	A	B
2	56009-302	.156(3.96)	.309(7.86)
3	56009-303	.312(7.92)	.465(11.82)
4	56009-304	.467(11.88)	.621(15.78)
5	56009-305	.624(15.84)	.777(19.74)
6	56009-306	.780(19.80)	.933(23.70)
7	56009-307	.935(23.76)	1.089(27.66)
8	56009-308	1.091(27.72)	1.245(31.62)
9	56009-309	1.247(31.68)	1.401(35.58)
10	56009-310	1.403(35.64)	1.557(39.54)