

SUNRIDGE

56007 SERIES

.100" (2.54MM) CENTERLINE DISCONNECTABLE FRICTIONLOCK CONNECTOR

PRODUCT FEATURES:

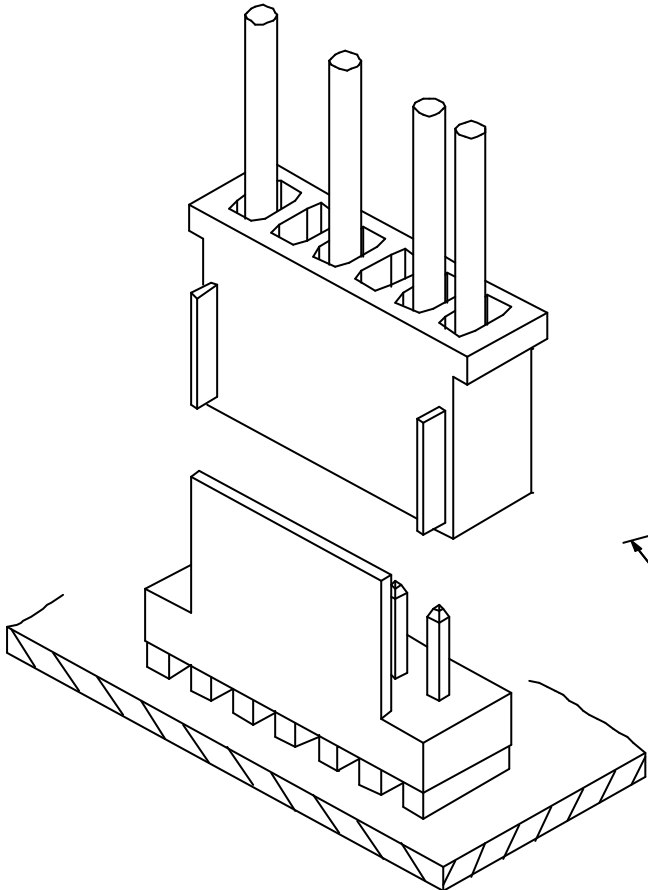
- .100" (2.54 MM) centerline, complete size range of 2 to 20 positions.
- Taper lead-in entry eases insertion onto pin header.
- Header housing standoff designed for after solder cleaning, and friction ramp for sturdy and repetitive insertions with mating housing.
- Crimp housing with guide ribs polarizes with the pin header.

MATERIAL:

Housing: Nylon 6/6, UL 94-V0
Contact: Copper alloy, tin plated

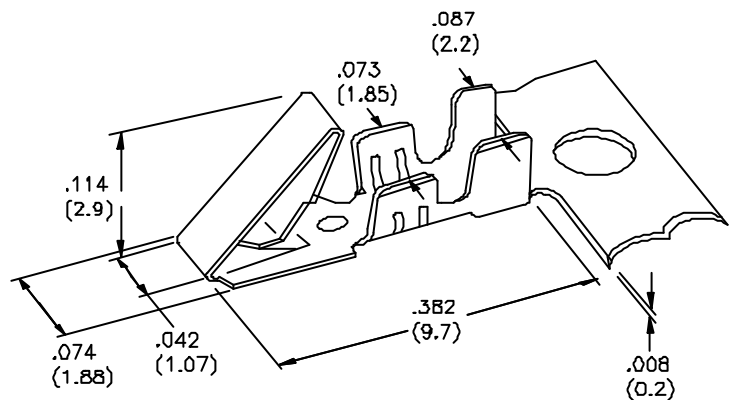
PERFORMANCE CHARACTERISTICS:

Current Rating: 3 Amper
Voltage Rating: 250 V AC
Insulation Resistance: 1000 Megohm min
Contact Resistance: 10 miliohm max
Withstanding Voltage: 1000 V AC / minute
Applicable Wire: AWG #30 to #22
Operating Temperature: -25 to +85



CRIMP CONTACT TERMINAL

P/N: 56007-T
QUANTITY PER REEL: 5,000



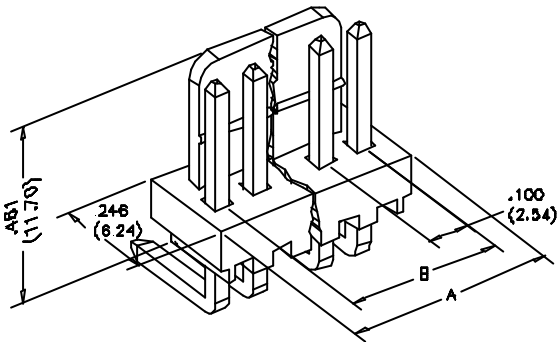
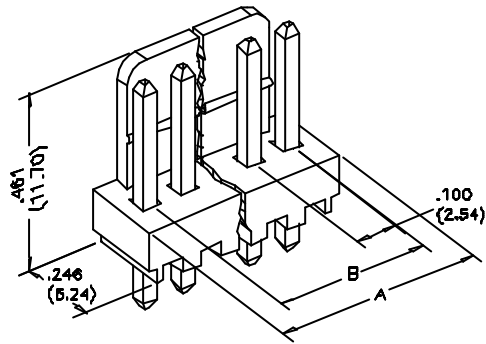
SUNRIDGE

PIN HEADER

P/N DESIGNATION

56007 -

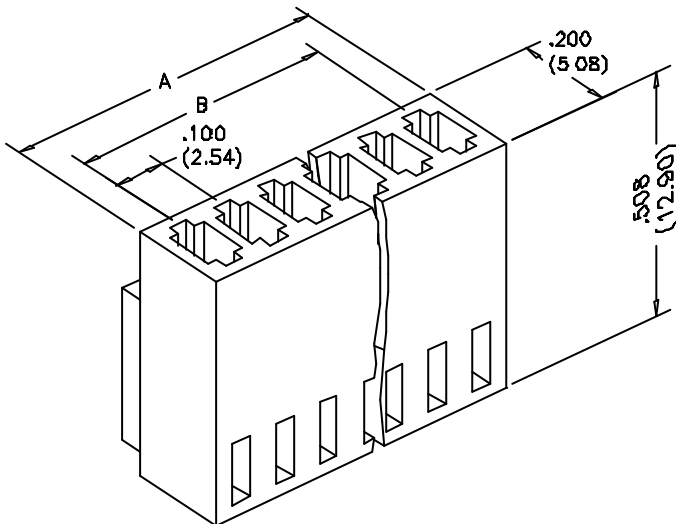
- NO. OF CONTACT
- 0: VERTICAL
- 1: RIGHT ANGLE



NO. OF CONTACT	P/N		DIMENSION IN (MM)	
	VERTICAL	RIGHT ANGLE	A	B
2	56007-002	56007-102	.200(5.08)	.100(2.54)
3	56007-003	56007-103	.300(7.62)	.200(5.08)
4	56007-004	56007-104	.400(10.16)	.300(7.62)
SEE BELOW				
19	56007-019	56007-119	1.900(48.26)	1.800(45.72)
20	56007-020	56007-120	2.000(50.80)	1.900(48.26)

A= .100" (2.54MM) X NO. OF CONTACT
 B= .100" (2.54MM) X NO. OF CONTACT-1)

HOUSING (P/N 56007-3)



NO. OF CONTACT	P/N	DIMENSION IN(MM)	
		A	B
2	56007-302	.220(5.60)	.100(2.54)
3	56007-303	.319(8.10)	.200(5.08)
4	56007-304	.421(10.70)	.300(7.62)
5	56007-305	.520(13.20)	.400(10.16)
6	56007-306	.622(15.80)	.500(12.70)
7	56007-307	.720(18.30)	.600(15.24)
8	56007-308	.819(20.80)	.700(17.78)
9	56007-309	.921(23.40)	.800(20.32)
10	56007-310	1.020(25.90)	.900(22.86)
11	56007-311	1.122(28.50)	1.000(25.40)
12	56007-312	1.220(31.00)	1.100(27.40)
13	56007-313	1.319(33.50)	1.200(30.48)
14	56007-314	1.421(36.10)	1.300(33.02)
15	56007-315	1.520(38.60)	1.400(35.56)
16	56007-316	1.622(41.20)	1.500(38.10)
17	56007-317	1.720(43.70)	1.600(40.46)
18	56007-318	1.819(46.20)	1.700(43.18)
19	56007-319	1.921(48.80)	1.800(45.72)
20	56007-320	2.020(51.30)	1.900(48.26)