

SUNRIDGE

56004- SERIES

2.50 MM (.098") CENTERLINE DISCONNECTABLE FRICTIONLOCK CRIMP CONNECTOR

PRODUCT FEATURES:

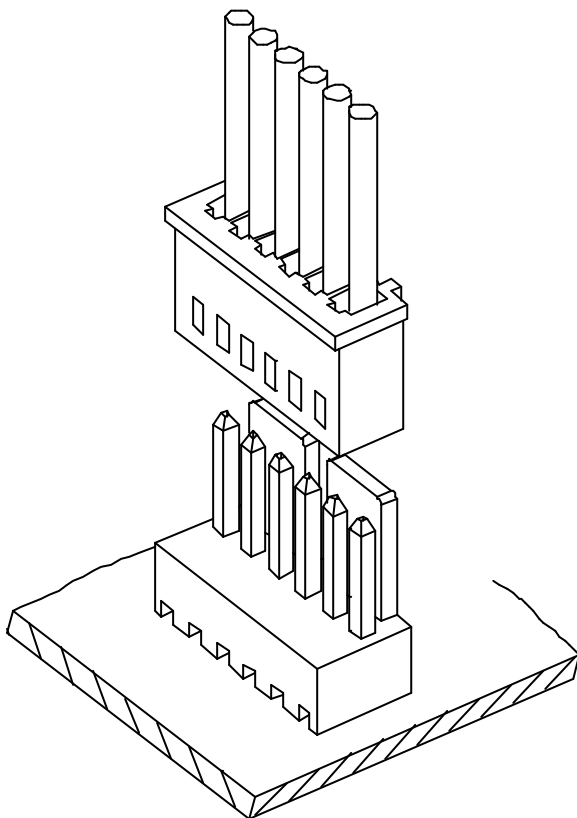
- .098" (2.50MM) centerline, full size range of 2 to 20 positions in both vertical (top entry) and right angle (side entry) versions
- Pin header housing designed with standoff for after solder cleaning, and friction ramp for sturdy insertion of crimp housing.
- Crimp housing with guide ribs provides proper alignment. The pull tab flange eases insertion/or withdrawal with header.

MATERIAL:

Insulator: Nylon 6/6, UL 94-V0 rated
Pin Contact: Copper alloy, tin plated

PERFORMANCE CHARACTERISTICS:

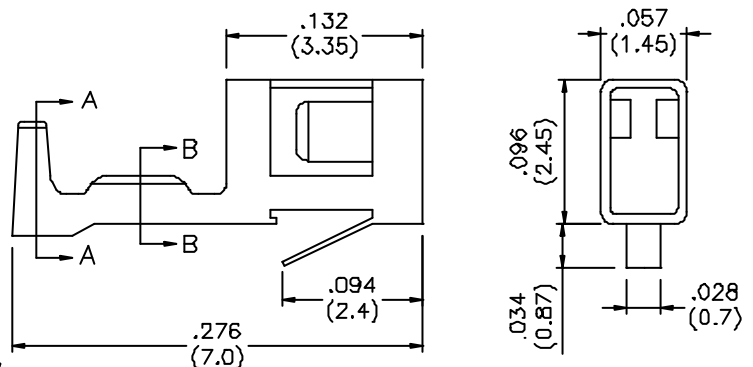
Current Rating: 2 Amper
Voltage Rating: 250 V AC, 350 V DC
Insulation resistance: 1000 Megohm min
Contact Resistance: 10 miliohm max
Withstanding Voltage: 1000 V AC / minute
Applicable PCB Thickness: .063" (1.60MM)
Applicable Wire: AWG #28 to #22
Operating Temperature: -25 to +85



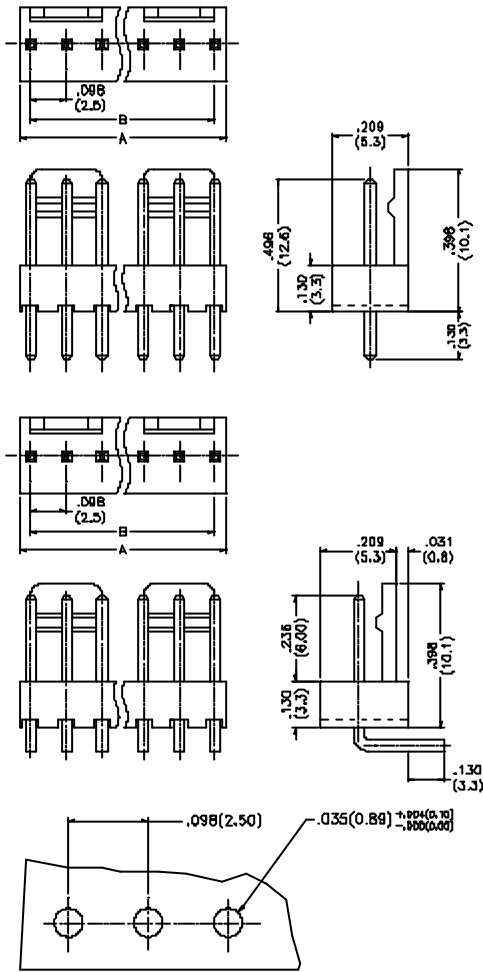
CRIMP CONTACT TERMINAL

P/N: 56004-T

QUANTITY PER REEL: 10,000



SUNRIDGE



RECOMMENDED PCB LAYOUT

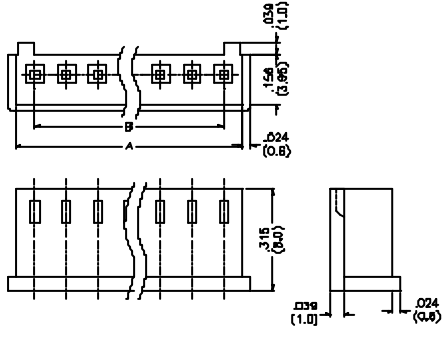
P/N DESIGNATION

56004 -
 └── NO. OF CONTACT
 └── 0: VERTICAL
 └── 1: RIGHT ANGLE

HOUSING P/N 56004 - 3

PIN HEADER

NO. OF POSITION	P/N		DIMENSION IN (MM)	
	VERTICAL	RIGHT ANGLE	A	B
2	56004-002	56004-102	.197(5.00)	.098(2.50)
3	56004-003	56004-103	.295(7.50)	.197(5.00)
4	56004-004	56004-104	.394(10.00)	.295(7.50)
5	56004-005	56004-105	.492(12.50)	.394(10.00)
6	56004-006	56004-106	.591(15.00)	.492(12.50)
7	56004-007	56004-107	.689(17.50)	.591(15.00)
8	56004-008	56004-108	.787(20.00)	.689(17.50)
9	56004-009	56004-109	.866(22.50)	.787(20.00)
10	56004-010	56004-110	.984(25.00)	.886(22.50)
11	56004-011	56004-111	1.083(27.50)	.984(25.00)
12	56004-012	56004-112	1.181(30.00)	1.083(27.50)
13	56004-013	56004-113	1.280(32.50)	1.181(30.00)
14	56004-014	56004-114	1.378(35.00)	1.280(32.50)
15	56004-015	56004-115	1.476(37.50)	1.378(35.00)
16	56004-016	56004-116	1.575(40.00)	1.476(37.50)
17	56004-017	56004-117	1.673(42.50)	1.575(40.00)
18	56004-018	56004-118	1.772(45.00)	1.673(42.50)
19	56004-019	56004-119	1.870(47.50)	1.772(45.00)
20	56004-020	56004-120	1.969(50.00)	1.870(47.50)



NO. OF POSITION	P/N	DIMENSION IN (MM)	
		A	B
2	56004-302	.218(5.54)	.098(2.50)
3	56004-303	.317(8.04)	.197(5.00)
4	56004-304	.415(10.54)	.295(7.50)
5	56004-305	.516(13.10)	.394(10.00)
6	56004-306	.612(15.54)	.492(12.50)
7	56004-307	.710(18.04)	.591(15.00)
8	56004-308	.809(20.54)	.689(17.50)
9	56004-309	.907(23.04)	.787(20.00)
10	56004-310	1.006(25.54)	.886(22.50)

NO. OF POSITION	P/N	DIMENSION IN (MM)	
		A	B
11	56004-311	1.104(28.04)	.984(25.00)
12	56004-312	1.202(30.54)	1.083(27.50)
13	56004-313	1.301(33.04)	1.181(30.00)
14	56004-314	1.399(35.54)	1.280(32.50)
15	56004-315	1.498(38.04)	1.378(35.00)
16	56004-316	1.596(40.54)	1.476(37.50)
17	56004-317	1.694(43.04)	1.575(40.00)
18	56004-318	1.793(45.54)	1.673(42.50)
19	56004-319	1.891(48.04)	1.772(45.00)
20	56004-320	1.990(50.54)	1.870(47.50)