

# SUNRIDGE

## 56003- SERIES

### 2.50MM (.098") CENTERLINE ONTO-BOARD CRIMP CONNECTOR

#### PRODUCT FEATURES:

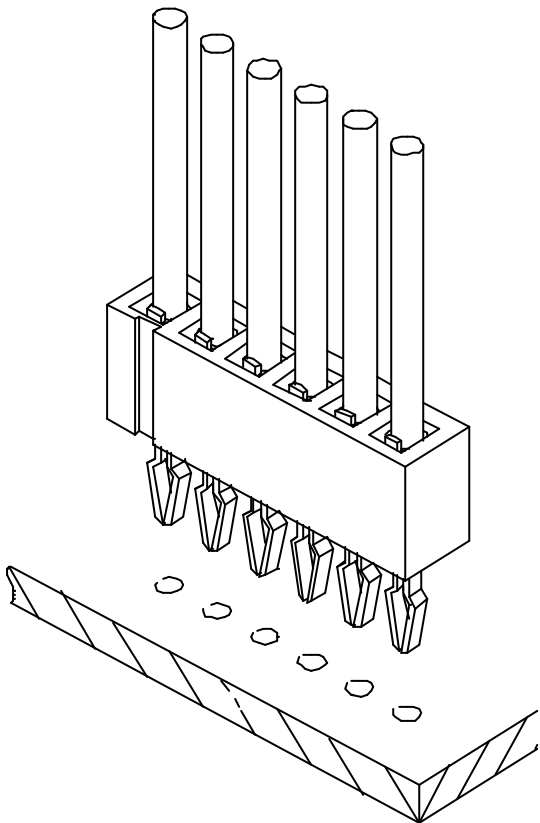
- 2.50MM (.098") centerline. Available in full size range of 2 to 15 positions for connection of crimped wire, through housing, directly onto board.
- Housing is constructed with spring load feature for easy and sturdy insertion of contact.
- Split-lance designed contact eases assembly to PCB, with secured board retention prior to soldering.
- Housing standoff facilitates after solder cleaning.

#### MATERIAL:

Housing: Nylon 6/6, UL 94V-0  
Contact: Copper alloy, tin plated

#### PERFORMANCE CHARACTERISTICS:

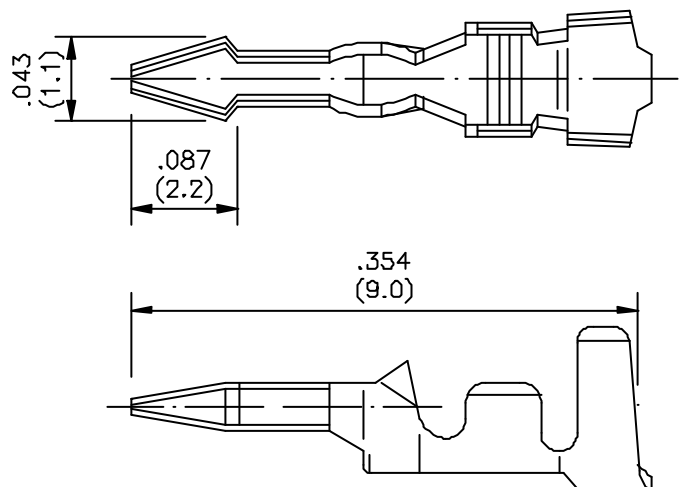
Current Rating: 2 Amper  
Voltage Rating: 250 V AC  
Insulation Resistance: 1000 Megohm min  
Contact Resistance: 10 miliohm max  
Withstanding Voltage: 800 V AC / minute  
Applicable Wire: AWG #28 to #22  
Operating Temperature: -25 to +85



#### CONTACT

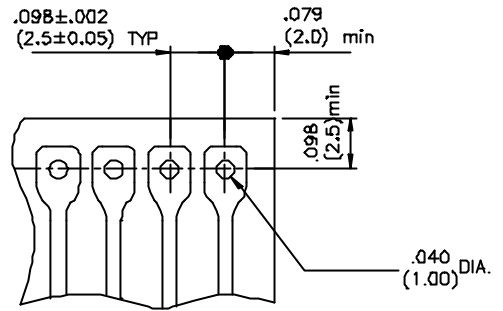
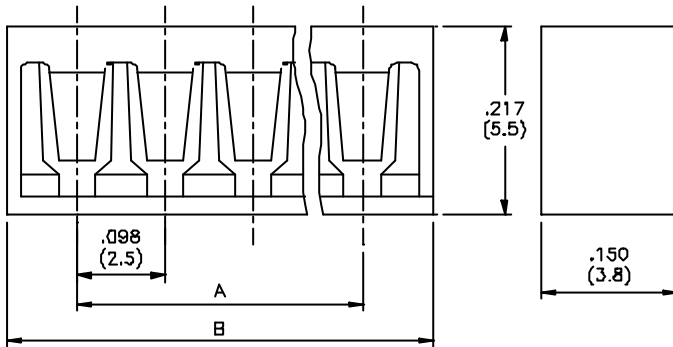
P/N: 56003-T

QUANTITY PER REEL: 10,000

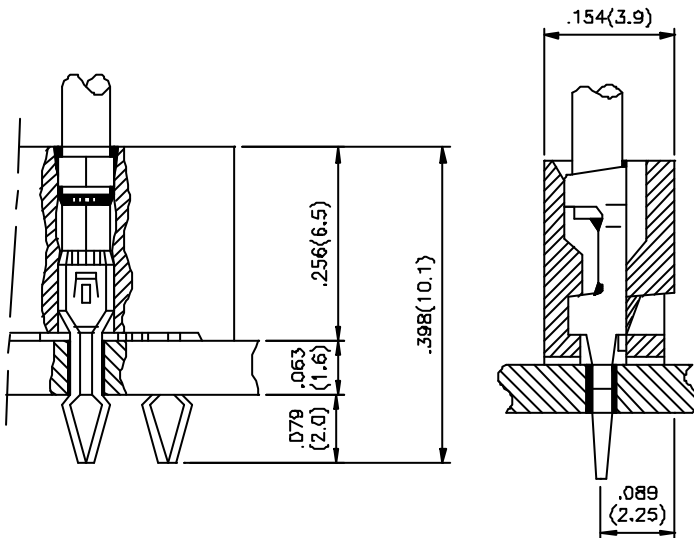


# SUNRIDGE

## HOUSING P/N 56003-3



## RECOMMENDED PCB LAYOUT



NO. OF POSITION	P/N	DIMENSION IN (MM)	
		A	B
2	56003-302	.098(2.50)	.256(6.50)
3	56003-303	.197(5.00)	.354(9.00)
4	56003-304	.295(7.50)	.453(11.50)
5	56003-305	.394(10.00)	.551(14.00)
6	56003-306	.492(12.50)	.650(16.50)
7	56003-307	.591(15.00)	.748(19.00)
8	56003-308	.689(17.50)	.846(21.50)
9	56003-309	.787(20.00)	.945(24.00)
10	56003-310	.886(22.50)	1.043(26.50)
11	56003-311	.984(25.00)	1.142(29.00)
12	56003-312	1.083(27.50)	1.240(31.50)
13	56003-313	1.181(30.00)	1.339(34.00)
14	56003-314	1.280(32.50)	1.437(36.50)
15	56003-315	1.378(35.00)	1.535(39.00)