

SUNRIDGE

56002 SERIES

2.00MM (.079") CENTERLINE CRIMP TERMINAL HOUSING

PRODUCT FEATURES:

- 2.00MM (.079") centerline, complete size range of 2 to 20 positions per row in both single and dual row versions.
- Taper lead-in entry eases insertion onto pin header.
- Low profile design .276" (7.00MM) overall height.
- Non-polarized plain rectangular configuration, along with slim body width of .079" (2.00MM) for single version and .167" (4.00MM) for dual row version : a general-purpose design to mate with standard 2.00 MM pitch pin header with wide versatility.

MATERIAL:

Housing: GF PBT, UL 94-V0

Contact: Copper alloy, gold flash plated

PERFORMANCE CHARACTERISTICS:

Current Rating: 2 Amper

Voltage Rating: 200 V AC

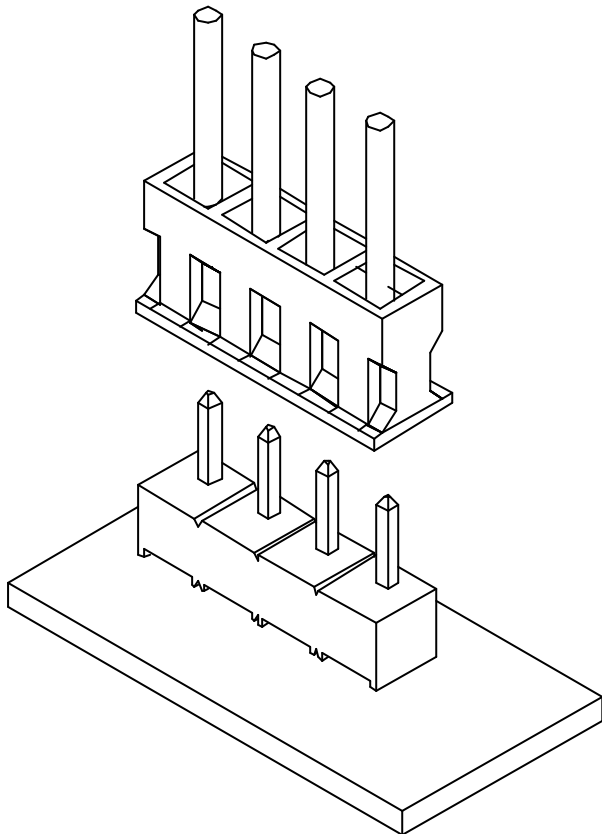
Insulation Resistance: 1000 Megohm min

Contact Resistance: 10 miliohm max

Withstanding Voltage: 650 V AC / minute

Applicable Wire: AWG #30 to #26

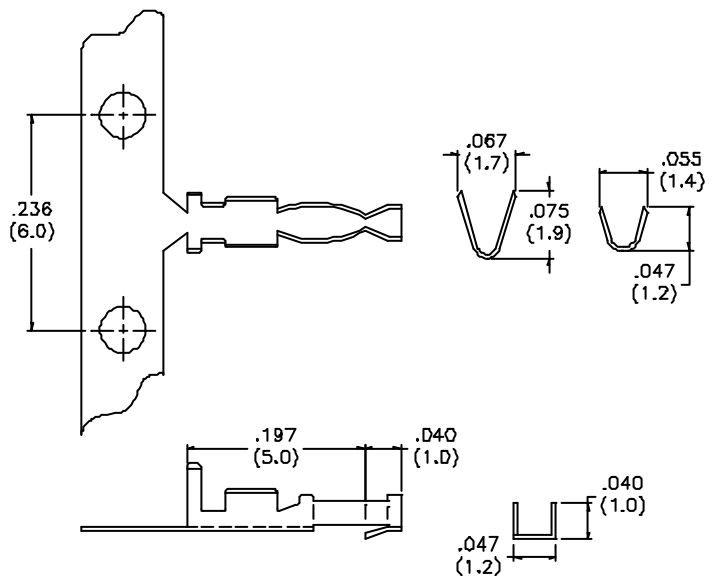
Operating Temperature: -25 to +85



CRIMP CONTACT TERMINAL

P/N: 56002-T

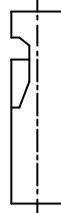
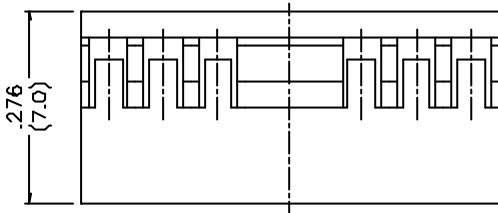
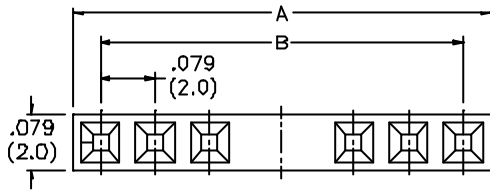
QUANTITY PER REEL: 10,000



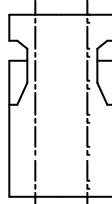
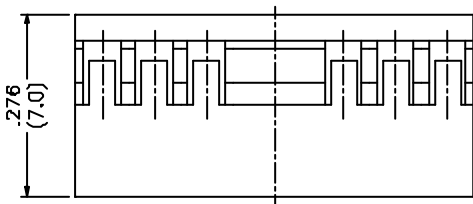
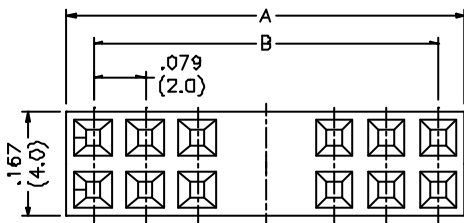
SUNRIDGE

HOUSING

Single row



Double row



P/N DESIGNATION

56002-3

- NO. OF CONTACT
- S: SINGLE ROW
- D: DUAL ROWS

NO. OF POSITION	P/N	DIMENSION IN (MM)	
		A	B
2	56002-3S02	.167(4.00)	.079(2.00)
3	56002-3S03	.236(6.00)	.167(4.00)
4	56002-3S04	.315(8.00)	.236(6.00)
5	56002-3S05	.394(10.00)	.315(8.00)
6	56002-3S06	.472(12.00)	.394(10.00)
7	56002-3S07	.551(14.00)	.472(12.00)
8	56002-3S08	.630(16.00)	.551(14.00)
9	56002-3S09	.709(18.00)	.630(16.00)
10	56002-3S10	.787(20.00)	.709(18.00)
11	56002-3S11	.886(22.00)	.787(20.00)
12	56002-3S12	.945(24.00)	.886(22.00)
13	56002-3S13	1.024(26.00)	.945(24.00)
14	56002-3S14	1.104(28.00)	1.024(26.00)
15	56002-3S15	1.181(30.00)	1.104(28.00)
16	56002-3S16	1.260(32.00)	1.181(30.00)
17	56002-3S17	1.339(34.00)	1.260(32.00)
18	56002-3S18	1.417(36.00)	1.339(34.00)
19	56002-3S19	1.500(38.00)	1.417(36.00)
20	56002-3S20	1.575(40.00)	1.500(38.00)

NO. OF POSITION	P/N	DIMENSION IN (MM)	
		A	B
2	56002-3D02	.167(4.00)	.079(2.00)
3	56002-3D03	.236(6.00)	.167(4.00)
4	56002-3D04	.315(8.00)	.236(6.00)
5	56002-3D05	.394(10.00)	.315(8.00)
6	56002-3D06	.472(12.00)	.394(10.00)
7	56002-3D07	.551(14.00)	.472(12.00)
8	56002-3D08	.630(16.00)	.551(14.00)
9	56002-3D09	.709(18.00)	.630(16.00)
10	56002-3D10	.787(20.00)	.709(18.00)
11	56002-3D11	.886(22.00)	.787(20.00)
12	56002-3D12	.945(24.00)	.886(22.00)
13	56002-3D13	1.024(26.00)	.945(24.00)
14	56002-3D14	1.104(28.00)	1.024(26.00)
15	56002-3D15	1.181(30.00)	1.104(28.00)
16	56002-3D16	1.260(32.00)	1.181(30.00)
17	56002-3D17	1.339(34.00)	1.260(32.00)
18	56002-3D18	1.417(36.00)	1.339(34.00)
19	56002-3D19	1.500(38.00)	1.417(36.00)
20	56002-3D20	1.575(40.00)	1.500(38.00)