

# SUNRIDGE

## 56001 SERIES

### 2.00MM (.079") CENTERLINE DISCONNECTABLE CRIMP CONNECTOR

#### PRODUCT FEATURES:

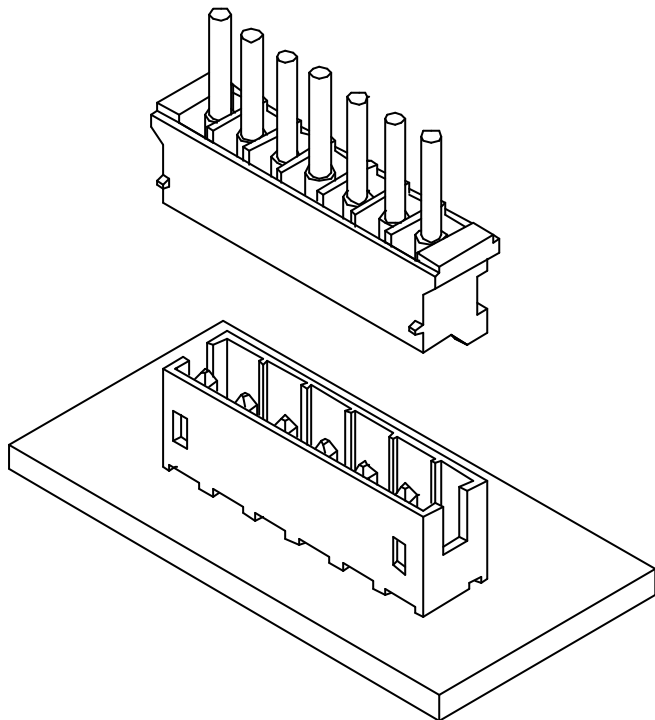
- Available in 2 to 15 circuits in both vertical (top entry) and right angle (side entry) version - an ideal choice for interconnection with crimping or insulation displacement application.
- Header post of .020" (.50MM) square mounts onto .030" (.76MM) dia X .079" (2.00MM) pitch PCB layout, and firmly connects with crimp contact
- Compactly designed with thin wall and low profile -- for vertical mount, .236" (6.00MM) above board, and typically .295" (7.59MM) overall height after mating; for R/A mount, .189" (4.8MM) above board surface.
- Shrouded walls with slotted notches ensure proper mating polarization and protect against flux or solder related contaminations.
- Solder tail selectively crimped for retentive and secure mounting to PCB.
- Header housing featured with stand-off for after solder cleaning, and extended flange (for R/A version) for PCB mounting stability - Reliable connection, even under severe application conditions, is ensured with center-dimple shaped contact design.
- Contact is featured with sufficient length of wire strip holding section for easy crimping.

#### MATERIAL:

Insulators: Nylon 6/6, UL 94 V-0 rated  
Pin and Contact: Copper alloy, tin plated

#### PERFORMANCE CHARACTERISTICS:

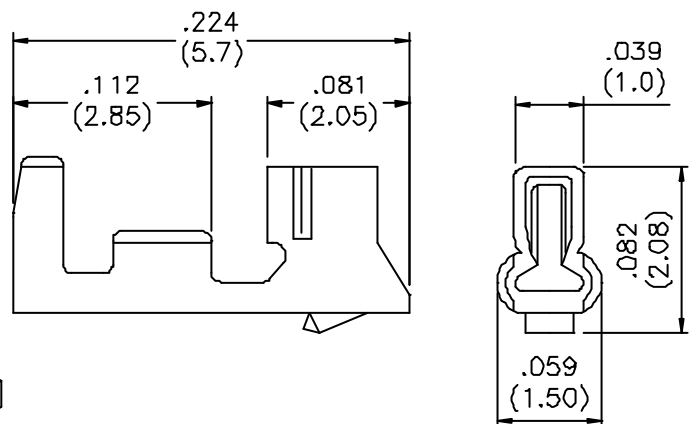
Current Rating: 2 Amper  
Voltage Rating: 250V  
Insulation resistance: 1000 Megohm min  
Contact Resistance: 10 miliohm max  
Withstanding Voltage: 800 V AC / minute  
Applicable Wire: AWG #30 to #24  
Operating Temperature: -25 to +85



#### CRIMP CONTACT TERMINAL

P/N: 56001-T

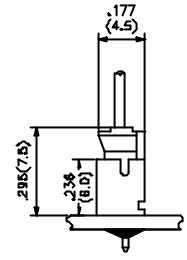
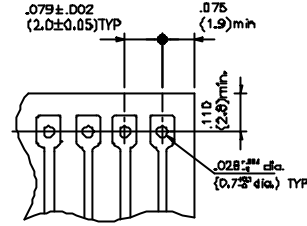
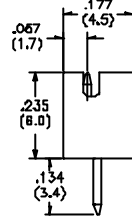
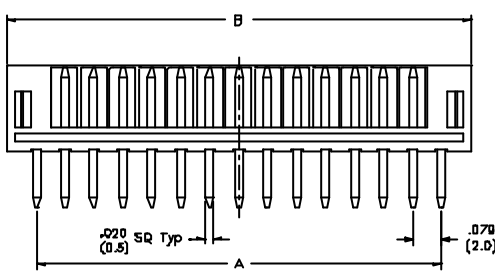
QUANTITY PER REEL: 10,000



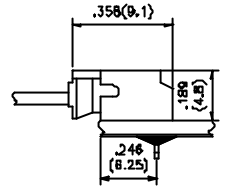
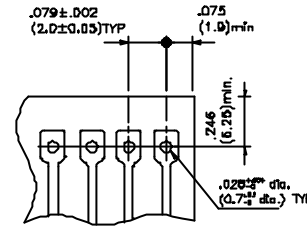
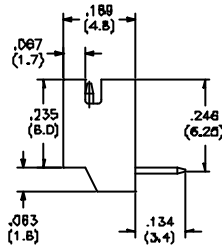
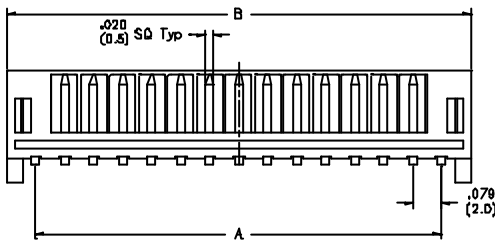
# SUNRI DGE

## SHROUDED HEADER

Straight Type



Right Angle Type

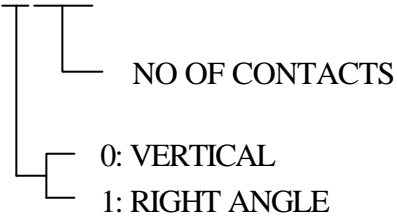


RECOMMENDED PCB LAYOUT

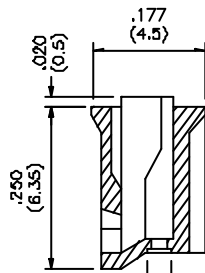
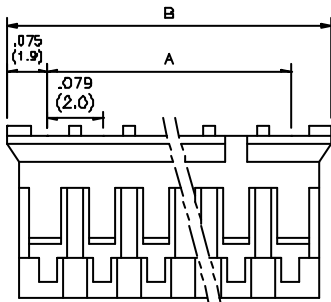
NO. OF POSITION	P/N		DIMENSION IN (MM)	
	VERTICAL	RIGHT ANGLE	A	B
2	56001-002	56001-102	.079(2.00)	.228(5.80)
3	56001-003	56001-103	.157(4.00)	.307(7.80)
4	56001-004	56001-104	.236(6.00)	.386(9.80)
5	56001-005	56001-105	.315(8.00)	.465(11.80)
6	56001-006	56001-106	.394(10.00)	.543(13.80)
7	56001-007	56001-107	.472(12.00)	.622(15.80)
8	56001-008	56001-108	.551(14.00)	.701(17.80)
9	56001-009	56001-109	.630(16.00)	.780(19.80)
10	56001-010	56001-110	.709(18.00)	.858(21.80)
11	56001-011	56001-111	.787(20.00)	.937(23.80)
12	56001-012	56001-112	.886(22.00)	1.016(25.80)
13	56001-013	56001-113	.945(24.00)	1.094(27.80)
14	56001-014	56001-114	1.024(26.00)	1.173(29.80)
15	56001-015	56001-115	1.102(28.00)	1.252(31.80)

### P/N DESIGNATION

56001-



### HOUSING (P/N 56001-3 )



NO. OF POSITION	P/N	DIMENSION IN (MM)	
		A	B
2	56001-302	.079(2.00)	.228(5.80)
3	56001-303	.157(4.00)	.307(7.80)
4	56001-304	.236(6.00)	.386(9.80)
5	56001-305	.315(8.00)	.465(11.80)
6	56001-306	.394(10.00)	.543(13.80)
7	56001-307	.472(12.00)	.622(15.80)
8	56001-308	.551(14.00)	.701(17.80)
9	56001-309	.630(16.00)	.780(19.80)
10	56001-310	.709(18.00)	.858(21.80)
11	56001-311	.787(20.00)	.937(23.80)
12	56001-312	.886(22.00)	1.016(25.80)
13	56001-313	.945(24.00)	1.094(27.80)
14	56001-314	1.024(26.00)	1.173(29.80)
15	56001-315	1.102(28.00)	1.252(31.80)