

SUNRIDGE

18615 SERIES

2.00MM (.079") CENTERLINE RIGHT ANGLE MOUNT HEADER

PRODUCT FEATURES:

- High density 2.00MM (.079") spacing interconnection
- Standard .50MM (.020") square pin for smooth mating with receptacle and shunt
- Options in pin lengths for various PCB thickness and flexible circuitry applications
- Options available in selective pin loading for polarization
- Housings options: GF PBT (UL 94V-0) for regular wave soldering, or GF PCT (UL 94V-0) for vapor phase or IR application.
- mounting stability on PCB with 4.00MM-wide housing

MATERIAL:

- Housing: GF PBT (UL 94V-0), or
GF PBT (UL 94V-0) for high temp IR soldering
- Pin: copper alloy, gold plated

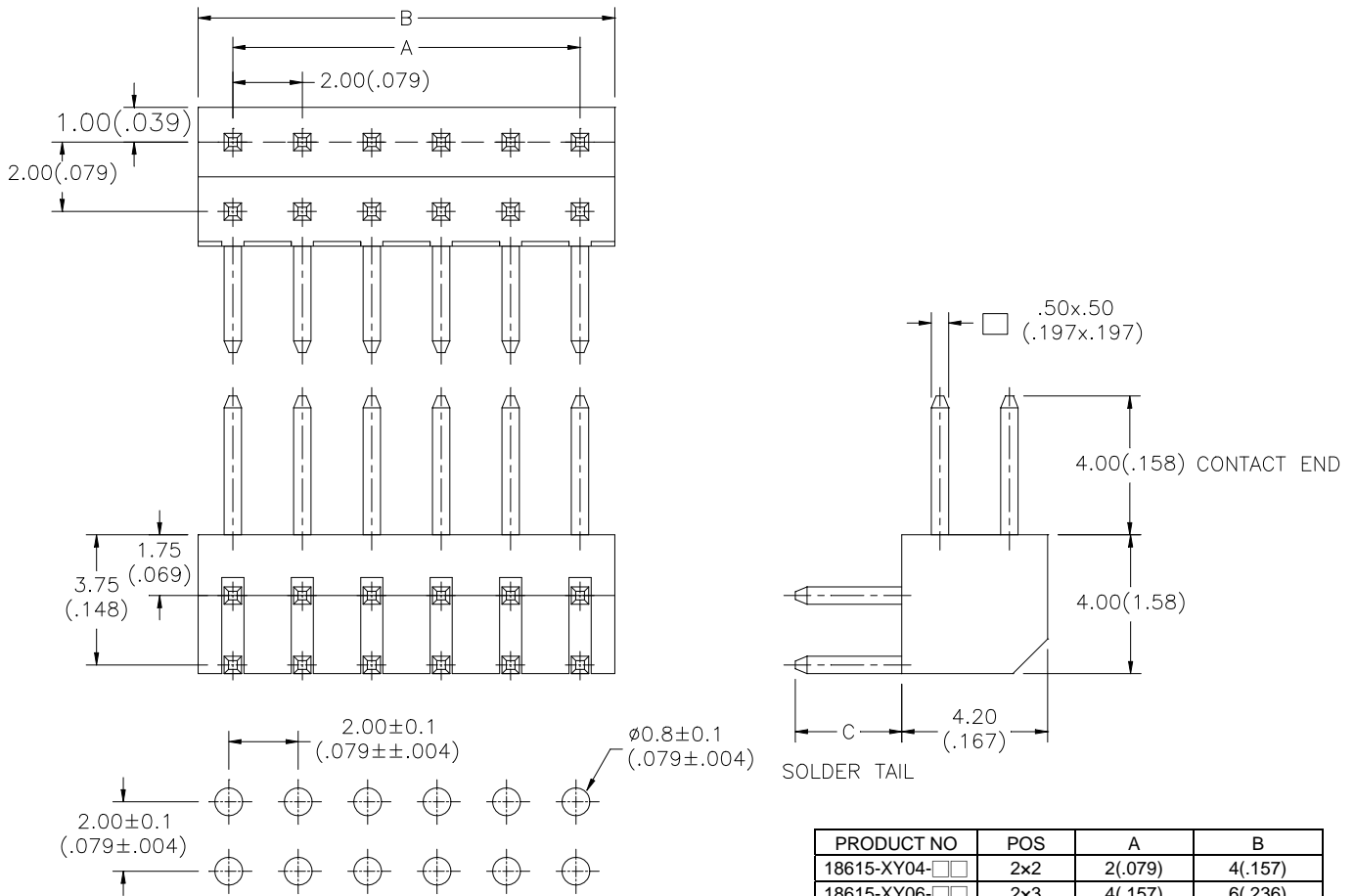
PERFORMANCE CHARACTERISTICS:

- Current Rating: 2 Amps DC
- Voltage Rating: 200 VAC/DC
- Contact Resistance: 20 Milliohms max
- Insulation Resistance: 1000 Megohm min
- Operating Temperature: -55°C to + 125°C

SUNRIDGE

18615 SERIES

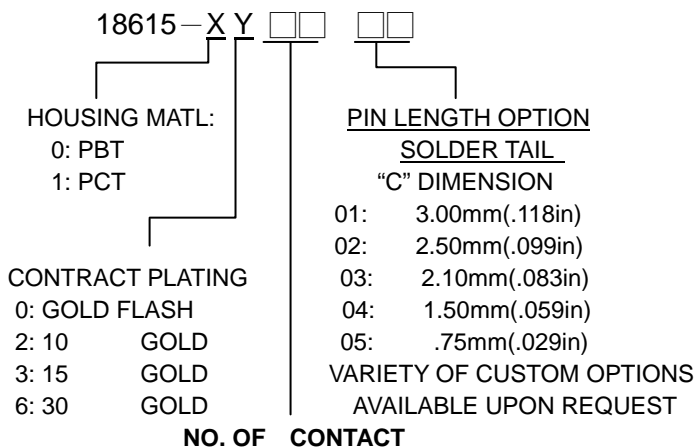
2.00MM (.079") CENTERLINE RIGHT ANGLE MOUNT HEADER



PCB THICK: 1.6±0.1

RECOMMENDED MOUNTING HOLE LAYOUT

P/N DESIGNATION



PRODUCT NO	POS	A	B
18615-XY04-□□	2x2	2(.079)	4(.157)
18615-XY06-□□	2x3	4(.157)	6(.236)
18615-XY08-□□	2x4	6(.236)	8(.315)
18615-XY10-□□	2x5	8(.315)	10(.394)
18615-XY12-□□	2x6	10(.394)	12(.472)
18615-XY14-□□	2x7	12(.472)	14(.551)
18615-XY16-□□	2x8	14(.551)	16(.630)
18615-XY18-□□	2x9	16(.630)	18(.709)
18615-XY20-□□	2x10	18(.709)	20(.787)
18615-XY22-□□	2x11	20(.787)	22(.866)
18615-XY24-□□	2x12	22(.866)	24(.945)
18615-XY26-□□	2x13	24(.945)	26(1.024)
18615-XY28-□□	2x14	26(1.024)	28(1.124)
18615-XY30-□□	2x15	28(1.124)	30(1.181)
18615-XY32-□□	2x16	30(1.181)	32(1.260)
18615-XY34-□□	2x17	32(1.260)	34(1.339)
18615-XY36-□□	2x18	34(1.339)	36(1.417)
18615-XY38-□□	2x19	36(1.417)	38(1.496)
18615-XY40-□□	2x20	38(1.496)	40(1.575)
18615-XY42-□□	2x21	40(1.575)	42(1.654)
18615-XY44-□□	2x22	42(1.654)	44(1.732)
18615-XY46-□□	2x23	44(1.732)	46(1.811)
18615-XY48-□□	2x24	46(1.811)	48(1.890)
18615-XY50-□□	2x25	48(1.890)	50(1.969)
18615-XY52-□□	2x26	50(1.969)	52(2.047)
18615-XY54-□□	2x27	52(2.047)	54(2.126)
18615-XY56-□□	2x28	54(2.126)	56(2.205)
18615-XY58-□□	2x29	56(2.205)	58(2.283)
18615-XY60-□□	2x30	58(2.283)	60(2.362)