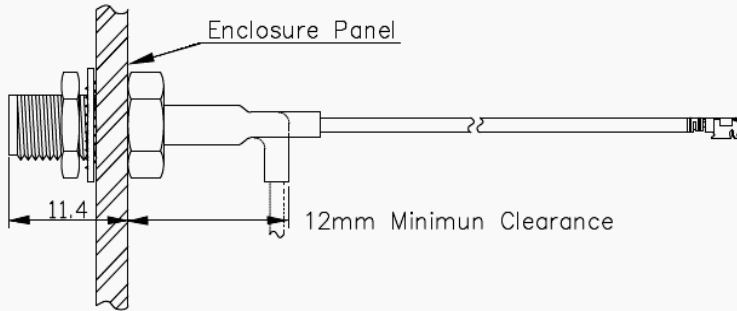


Sunridge MCB Series: MCBP-SMAJB Panel Mount Adapter



Conventional SMA Bulkhead:

SMA bulkhead is commonly used as an interface port. To mount a SMA cable connector on the panel, however, requires a minimum clearance of 12.0 mm inside the enclosure. Meanwhile, as IT devices continue to down size, there are ever more compact product designs that can not accommodate such a space luxury. Sunridge MCBP-SMAJB panel mount adapter offers an effective solution to this constraint.

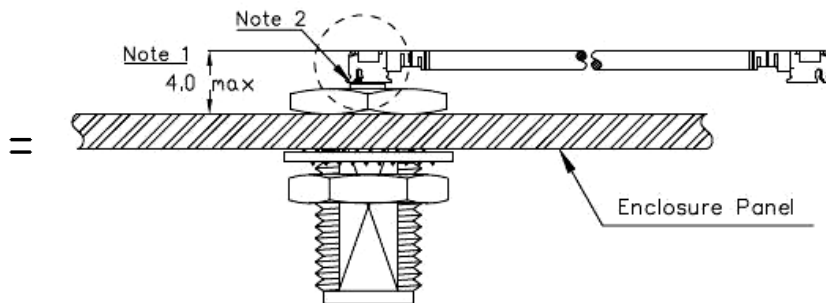
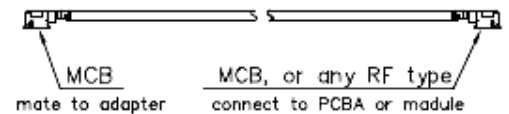
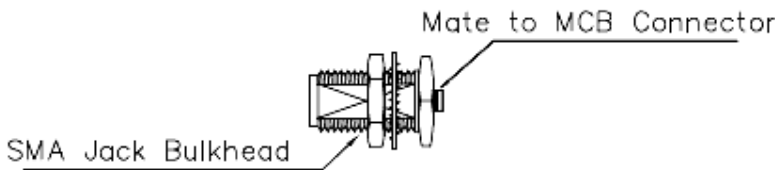


Space Saving with MCBP-SAMJB Adapter:

A MCBP-SMAJB bulkhead installation takes up only 4.0 mm space behind the enclosure. The adapter is to be used with a MCB-cable assy. For example, a Sunridge MCB to MCB cable assembly: one MCB cable connector mates sturdily to the adapter, and the other to MCB-ST-00T connector on PC board. Or, a cable assembly of MCB to any RF connector, such as MMCX plug, according to customer's spec.

MCBP-SMAJB Adapter

MCB cable assembly



Note 1: If mated with MCB2 cable connector, only 3.5mm max clearance is required.

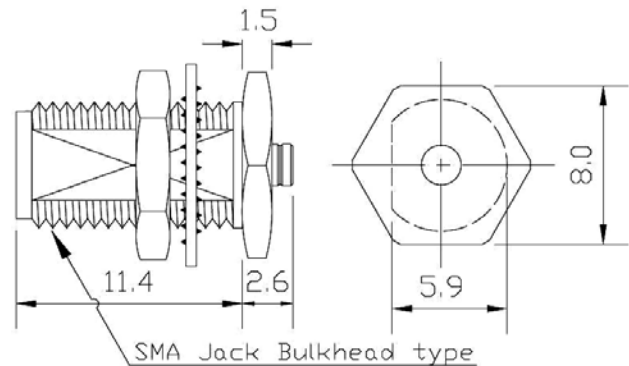
Note 2: For rugged application, Sunridge can supply "MCB- cable + Adapter" assembly reinforced with solder joint.

MCBP-SMAJB Panel Mount Adapter

Pn: MCBP-SMAJB01 (Regular Polarity)
MCBP-SMAJB02 (Reverse Polarity)

Sunridge MCB Cable Assembly

See variety of MCB interconnect offerings at <http://www.sunridgecorp.com/pdf/MCBseries.pdf>



Sunridge provides versatile solutions. Send your project inquiry to sales@sunridgecorp.com or sales_asia@sunridgecorp.com

www.sunridgecorp.com

(dimension: mm)



Sunridge Corporation

Specialist in Interconnect Solutions

